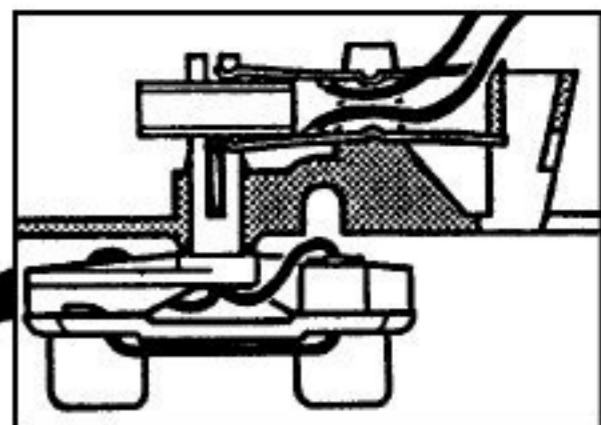
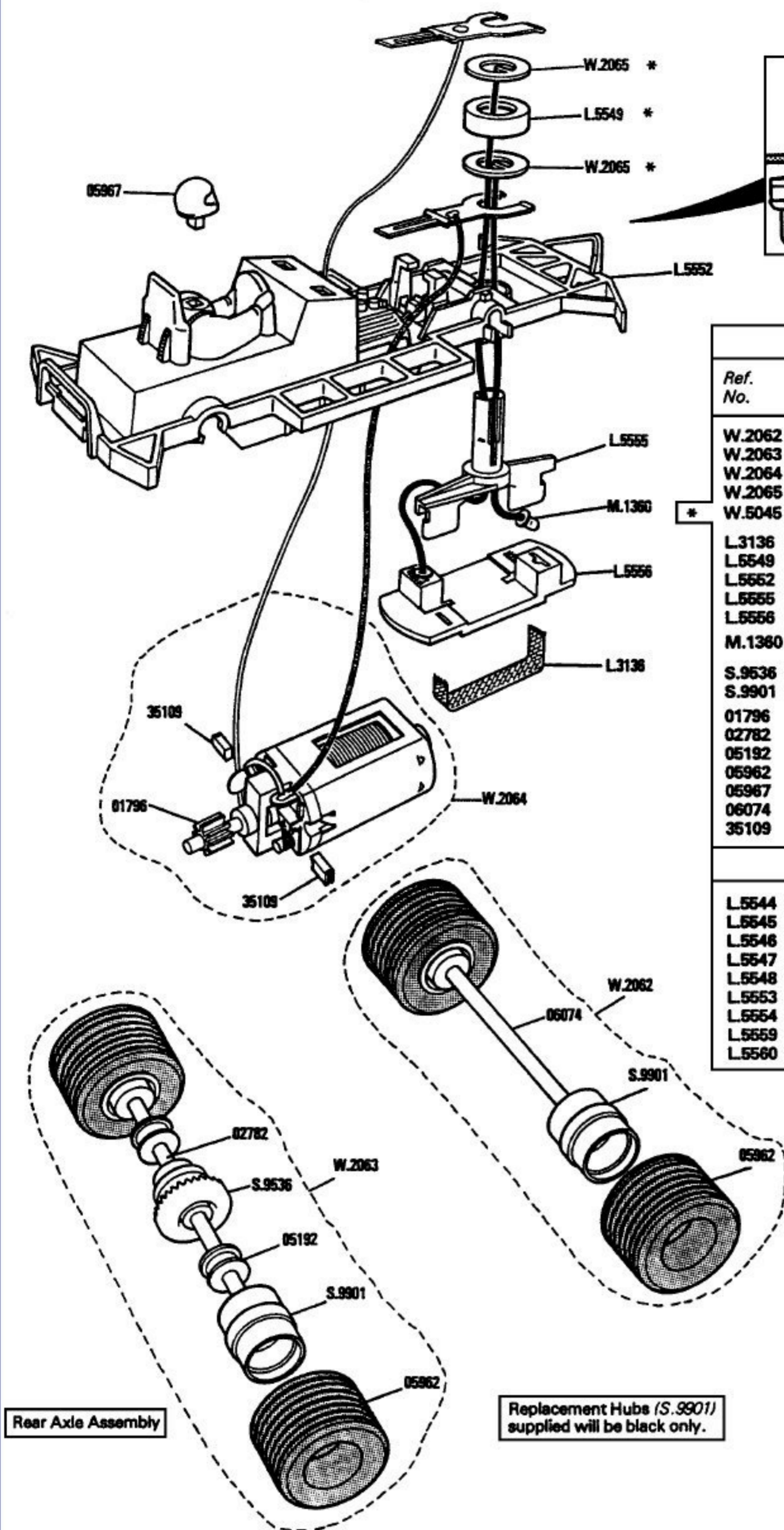


SUPER STOX C.285, C.286



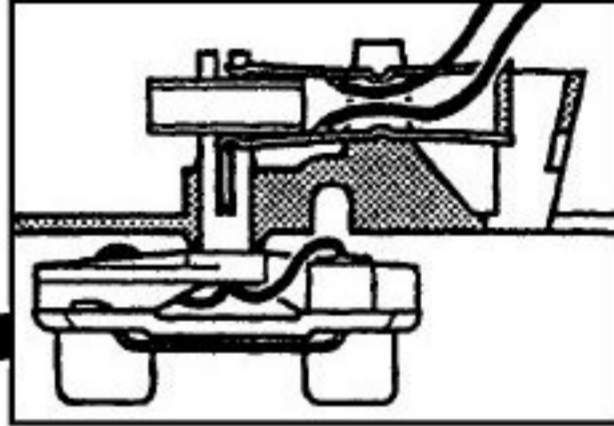
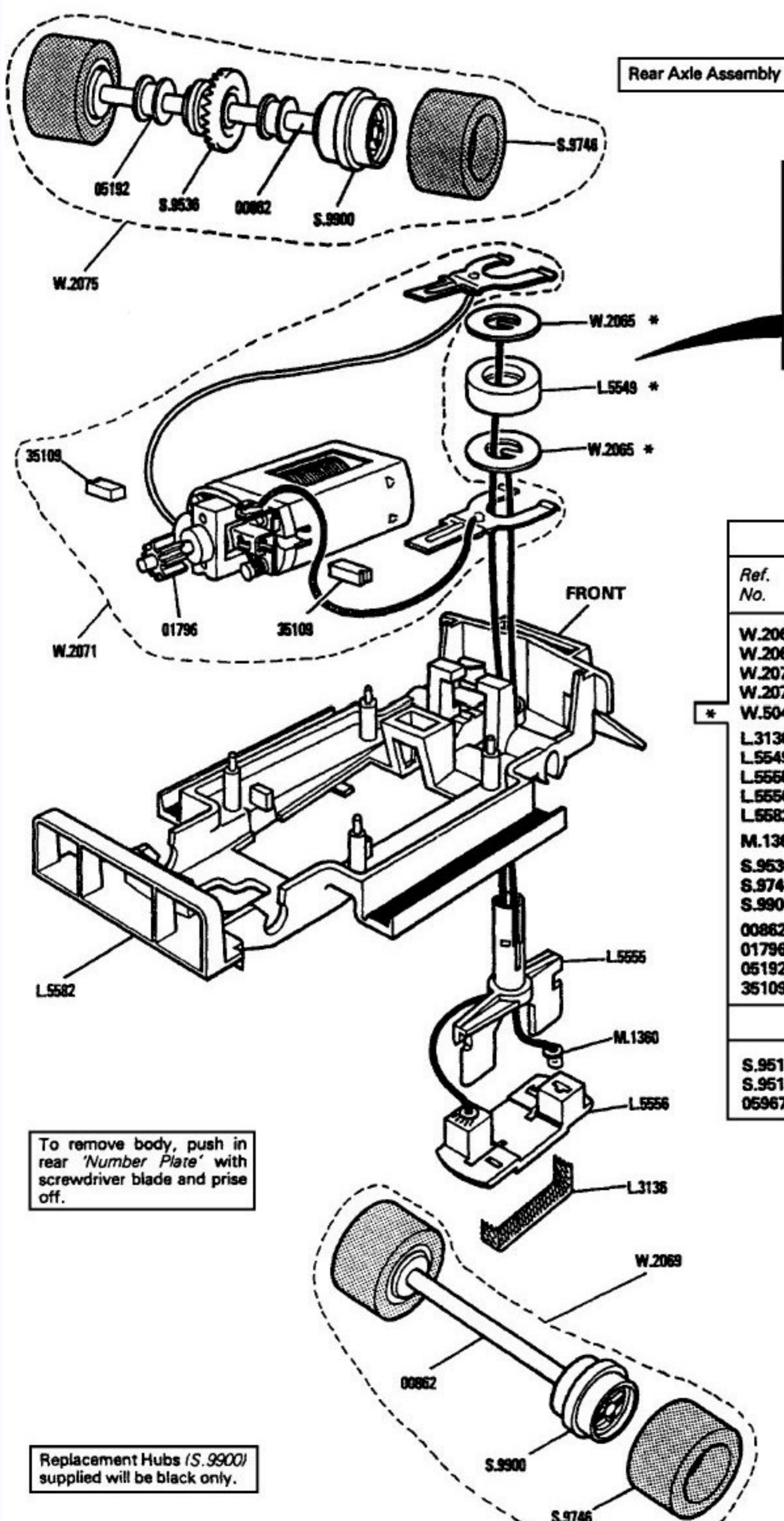
| List of Parts | |
|-----------------------|------------------------------------|
| Ref. No. | Item |
| W.2062 | Axle Assembly—Front |
| W.2063 | Axle Assembly—Rear |
| W.2064 | Motor/Contact Assembly |
| W.2065 | Slip Ring Assembly |
| * W.5045 | Assembly of Two W.2065 with L.5549 |
| L.3136 | Pick-up Braid |
| L.5549 | Slip Ring Spacer |
| L.5552 | Chassis |
| L.5555 | Guide Pivot |
| L.5556 | Braid Plate |
| M.1360 | Eyelet |
| S.9536 | Contrate Gear |
| S.9901 | Hub—Front/Rear |
| 01796 | Motor Pinion |
| 02782 | Axle—Rear |
| 05192 | Rear Axle Bearing |
| 05962 | Tyre—Front/Rear |
| 05967 | Drivers Head |
| 06074 | Axle—Front |
| 35109 | Carbon Brush |
| Items not illustrated | |
| L.5544 | Aerofoil |
| L.5545 | Number Plate—Small |
| L.5546 | Number Plate—Large |
| L.5547 | Exhaust Pipe—Long—L.H. |
| L.5548 | Exhaust Pipe—Long—R.H. |
| L.5553 | Bonnet—Red/Yellow |
| L.5554 | Cab—Red/Yellow |
| L.5559 | Exhaust Pipe—Short—L.H. |
| L.5560 | Exhaust Pipe—Short—R.H. |



Scalextric Service Centre, Westwood, Margate, Kent, CT9 4JX, England.

SERVICE SHEET No. 127
Issued October 1982

BANGER RACER C.290, C.291



| List of Parts | |
|-----------------------|------------------------------------|
| Ref. No. | Item |
| W.2065 | Slip Ring Assembly |
| W.2069 | Axle Assembly—Front |
| W.2071 | Motor/Contact Assembly |
| W.2075 | Axle Assembly—Rear |
| * W.5045 | Assembly of Two W.2065 with L.5549 |
| L.3136 | Pick-up Braid |
| L.5549 | Slip Ring Spacer |
| L.5555 | Guide Pivot |
| L.5556 | Braid Plate |
| L.5582 | Underpan |
| M.1360 | Eyelet |
| S.9536 | Contrate Gear |
| S.9746 | Tyre |
| S.9900 | Hub—Front/Rear |
| 00862 | Axle |
| 01796 | Motor Pinion |
| 05192 | Rear Axle Bearing |
| 35109 | Carbon Brush |
| Items not illustrated | |
| S.9515 | Body—Red/Blue |
| S.9517 | Seat Unit |
| 05967 | Drivers Head |

To remove body, push in rear 'Number Plate' with screwdriver blade and prise off.

Replacement Hubs (S.9900) supplied will be black only.

Modifications are made to models from time to time. If a spare part is required which does not coincide with the illustration, a full description should be given and, if necessary, a sketch or sample should accompany the order.