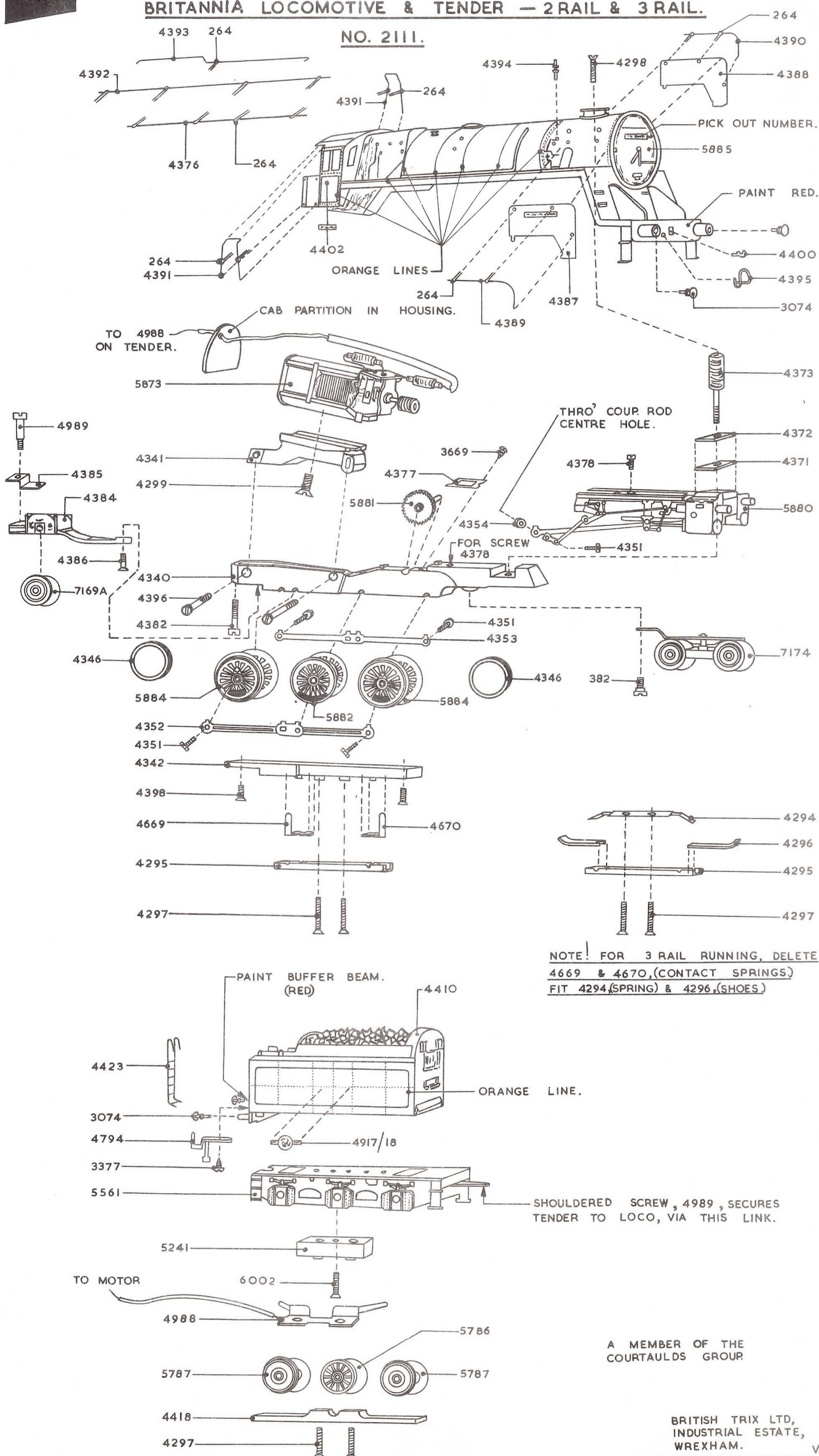


TRIX THE FOOTPLATEMAN.

BRITANNIA LOCOMOTIVE & TENDER - 2 RAIL & 3 RAIL.

NO. 2111.

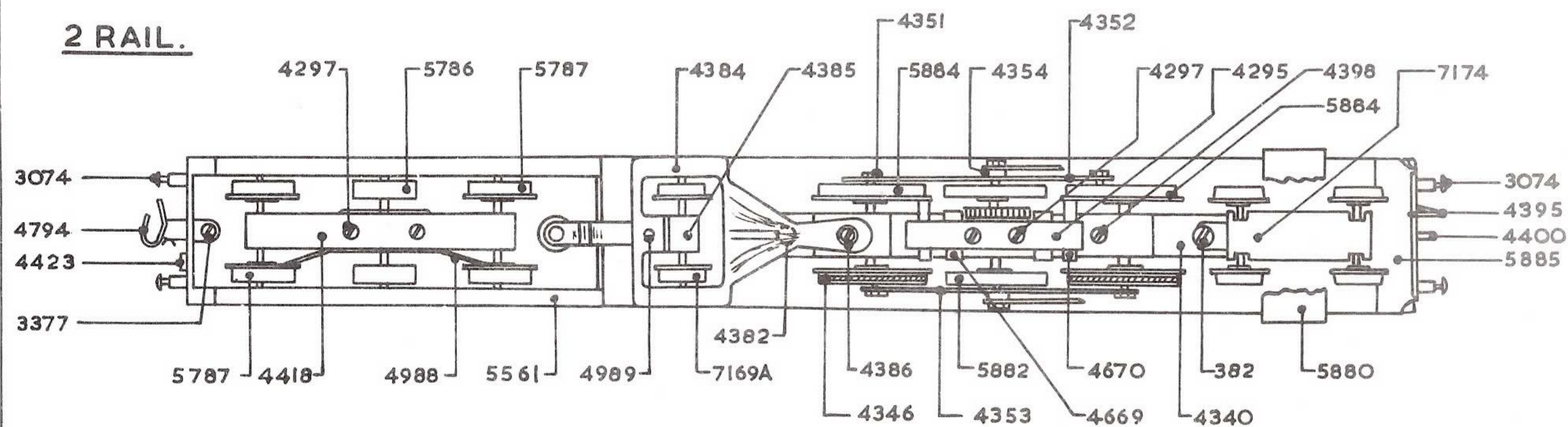


BRITANNIA LOCOMOTIVE & TENDER - CONTINUED.

COMPONENT LIST.

5885 HOUSING.	1	4296 3 RAIL SHOE.	2	5561 TENDER CHASSIS.	1
4387 SMOKE DEFLECTOR R.H.	1	4294 3 RAIL SPRING.	1	4423 LADDER.	1
4388 " " L.H.	1	4353 COUPLING ROD L.H.	1	4297 SCREW. (2MM)	4
4389 H/RAIL. (" R.H.)	1	4352 " " R.H.	1	(2 ON LOCO: 2 ON TENDER)	
4390 " (" L.H.)	1	4354 SPACING COLLAR.	2	4410 TENDER BODY.	1
264 SPLIT PIN.	18	4372 METAL PLATE.	1	4398 SCREW. (2MM)	2
4394 WHISTLE.	1	4371 FIBRE PLATE.	1	5241 CENTRE BLOCK.	1
4391 CAB H/RAIL.	2	4396 SCREW (2MM)	2	4917/8 B.R. CREST.	1 PR.
3074 BUFFER.	4	4298 SCREW (2MM-C'S'K)	1	4988 CONTACT SPRING.	1
(2 ON LOCO: 2 ON TENDER)		4346 TYRE.	2	4342 RETAINER PLATE.	1
4400 HOOK.	1	4669 CONTACT SPRING RH.	1	3669 S.T. SCREW.	1
4395 VACUUM PIPE.	1	4670 " " L.H.	1	6002 S.T. SCREW. (C'S'K)	1
4376 HANDRAIL.	1	382 SCREW. (7BA)	1	5786 CENTRE WHEEL ASSLY.	1
4392 " (4" LONG)	1	4299 SCREW (3MM-C'S'K)	1	5787 FLAN. WHEEL ASSLY.	2
4393 OPERATING ROD.	1	4373 PILLAR.	1	4385 PLATE.-REAR BOGIE.	1
4402 NUMBER TRANSFER.	2	7169A WHEEL & AXLE ASSLY.	1	4418 WHEEL RETAINER.	1
5873 MOTOR ASSLY.	1	4794 COUPLING.	1	5884 FLAN. DRIVERS ASSLY.	2
4340 CHASSIS.	1	3377 S.T. SCREW.	1	4386 SCREW. (2MM-C'S'K)	1
4341 MOTOR CRADLE.	1	4382 SCREW. (2MM)	1		
5880 CYL. & VALVE GEAR ASSLY.	1	5882 CENTRE DRIVERS ASSLY.	1		
7174 LEADING BOGIE.	1	4295 RETAINER PLATE.	1		
4384 FRAME-REAR BOGIE.	1	4989 SCREW. (8BA.)	1		
4377 INTER-GEAR PLATE.	1	4351 SCREW. (1.4MM-HEX)	6		
5881 " " ASSLY.	1	4378 SCREW. (2MM)	1		

2 RAIL.



INVERTED PLAN VIEWS.

3 RAIL.

